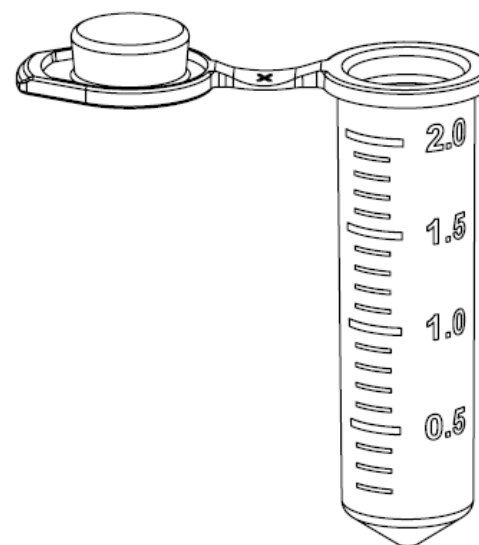
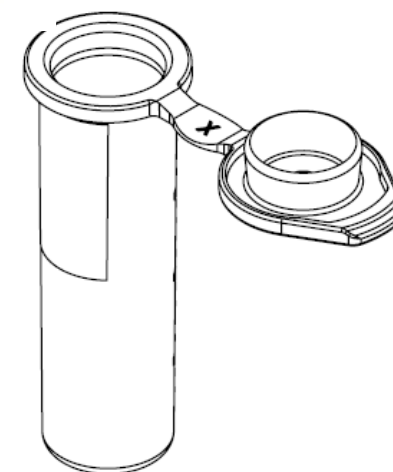
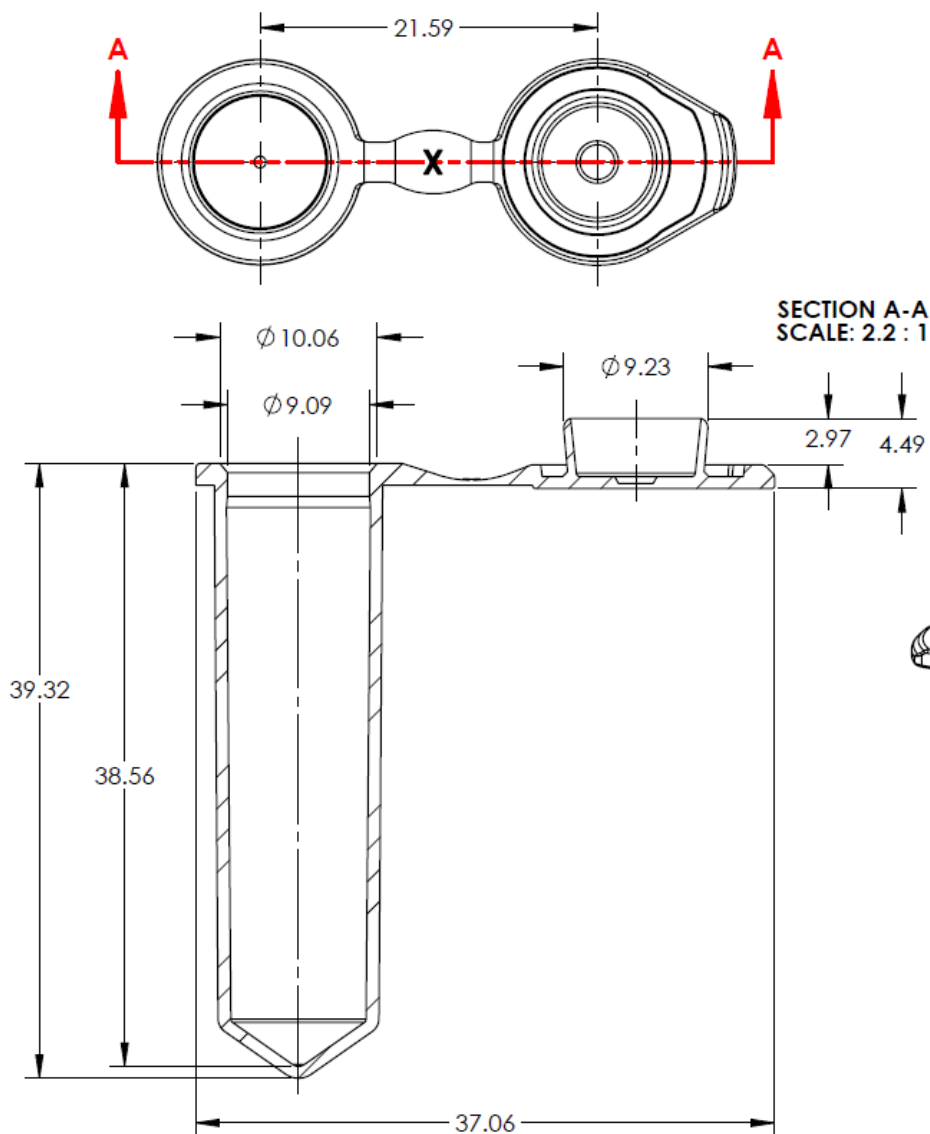




**westburg**  
LIFE SCIENCES



**WB 7002 2.0 mL "GRADUETED" TUBE WITH CAP**

Arnhemseweg 87  
3832 GK Leusden  
The Netherlands

P.O. Box 214  
3830 AE Leusden  
The Netherlands

+31 33 495 0094  
info@westburg.eu  
www.westburg.eu

IBAN NL78RABO0168460297  
NL005049532B01  
KvK 31024246

